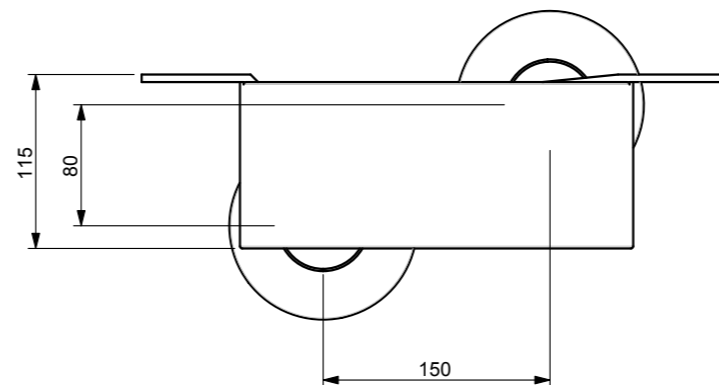
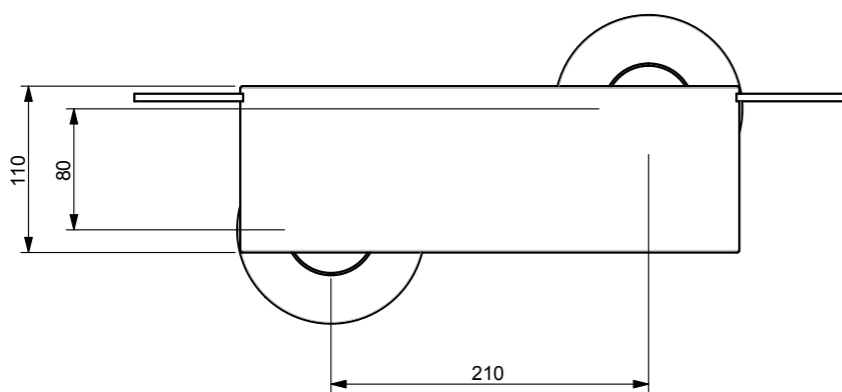
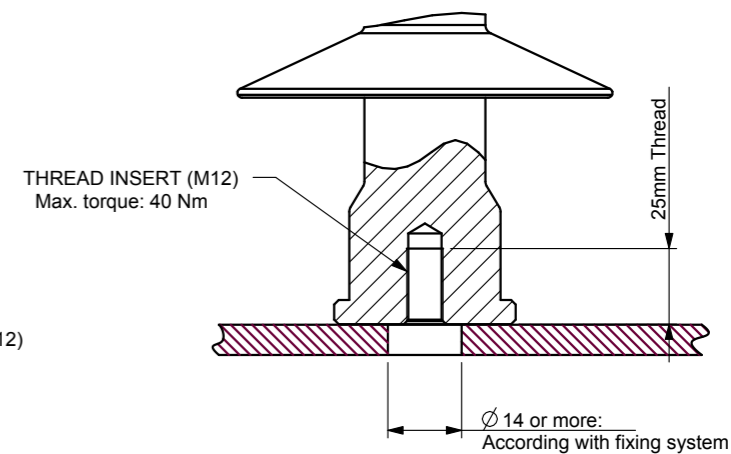
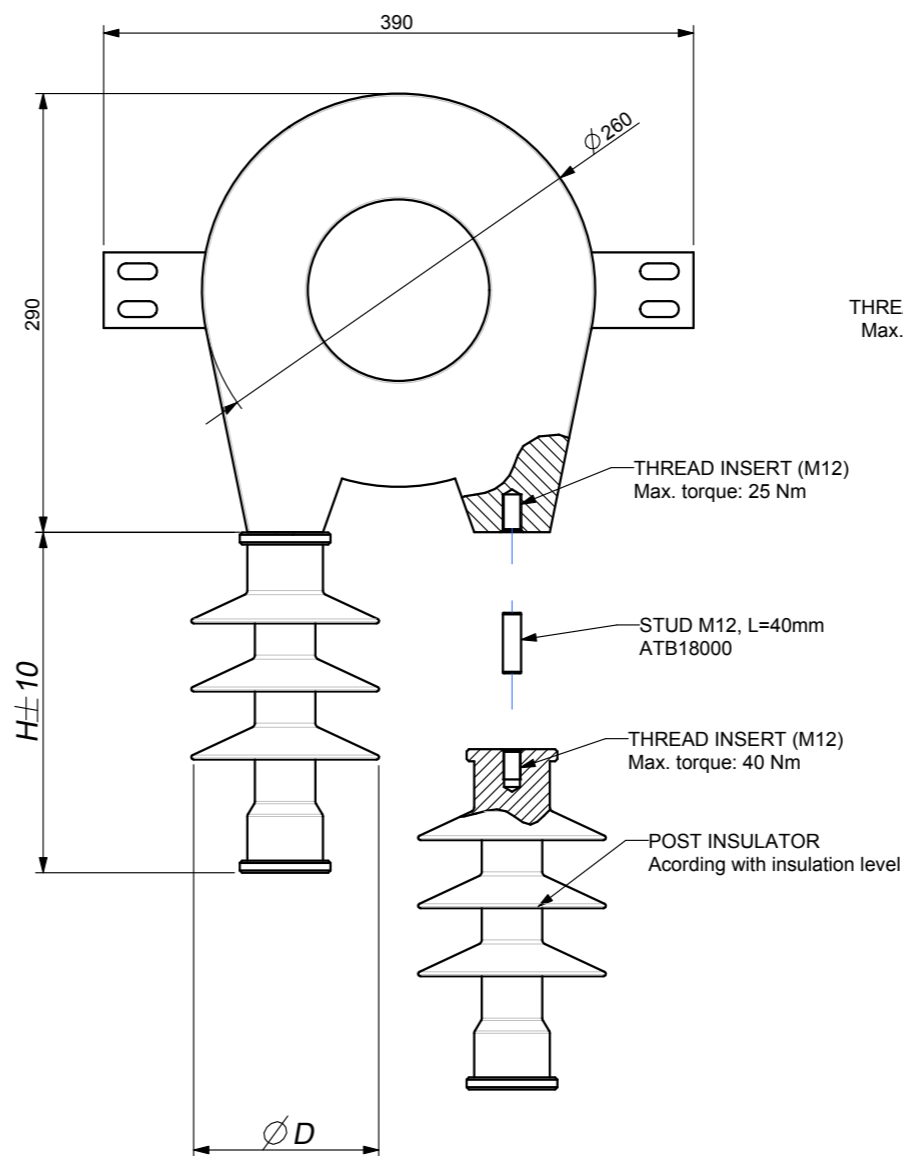
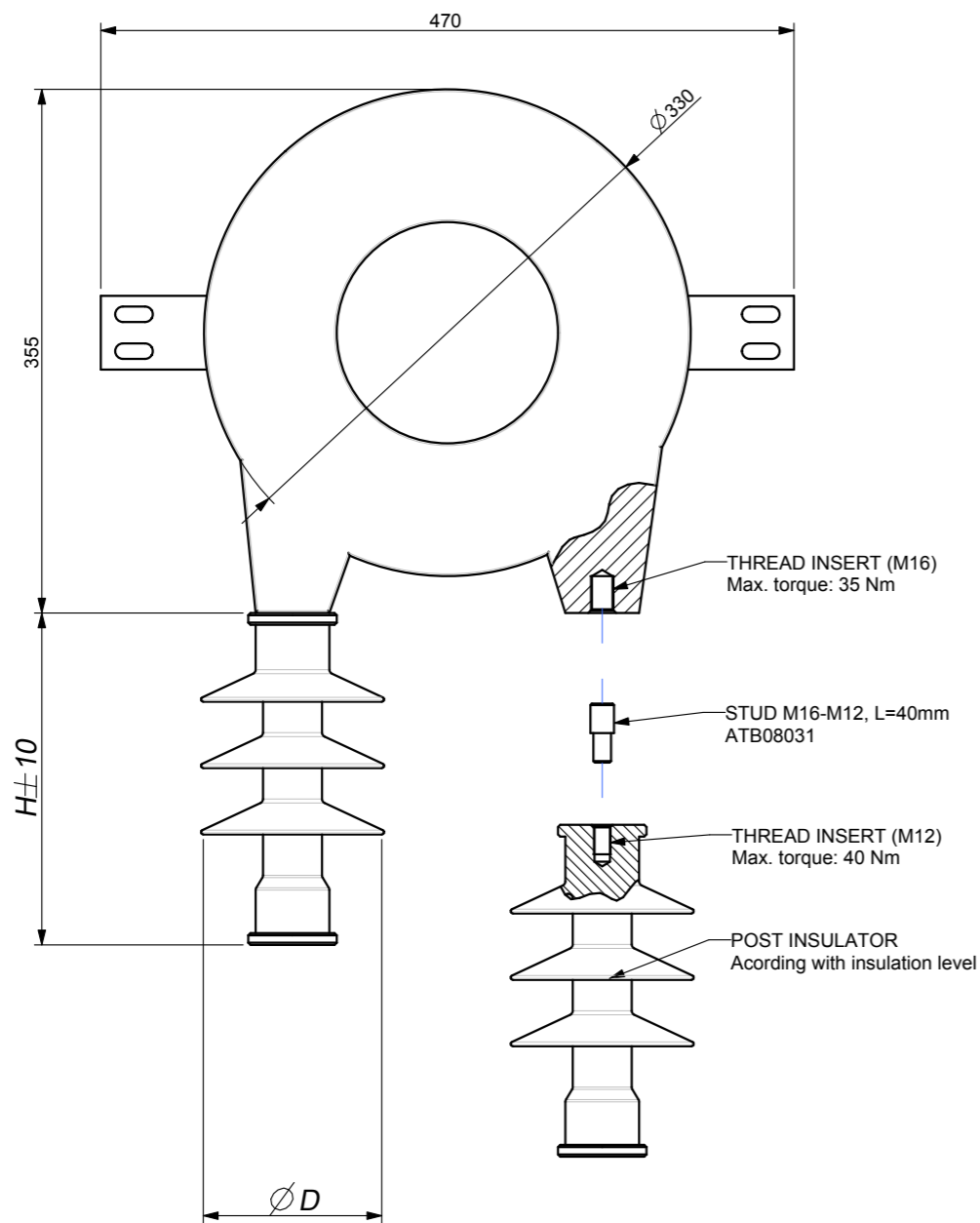


REACTOR Type: ICR-330

REACTOR Type: ICR-260

Fixing assembly detail (to structure/earth)
SCALE 1/2.5



Insulation level (kV)	H (mm)	ϕD (mm)	Post insulator Code
up to 17,5	240	125	ATB19006
up to 24	280	125	ATB19003
up to 36	360	125	ATB19004

MOD.	DESCRIPTION		APPROVED	DATE
DRAWN	X.Casademunt	24-Feb-14		24-Feb-14
APPROVED	X.Casademunt			
SCALE 1:5	NAME	DATE	DIM UNITS mm	FINISHED: --
VOLUMEN mm ³	REV: 00	ASSEMBLY REACTOR+POST INSULATOR		AR20140311-O/M1
WEIGHT Kg	DIN-A3	Over 12kV up to 36kV - OUTDOOR		
IT REPLACES TO			--	
IT REPLACES FOR				

